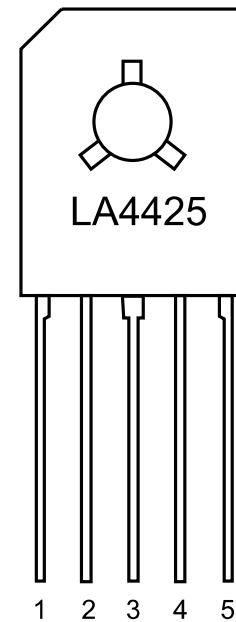
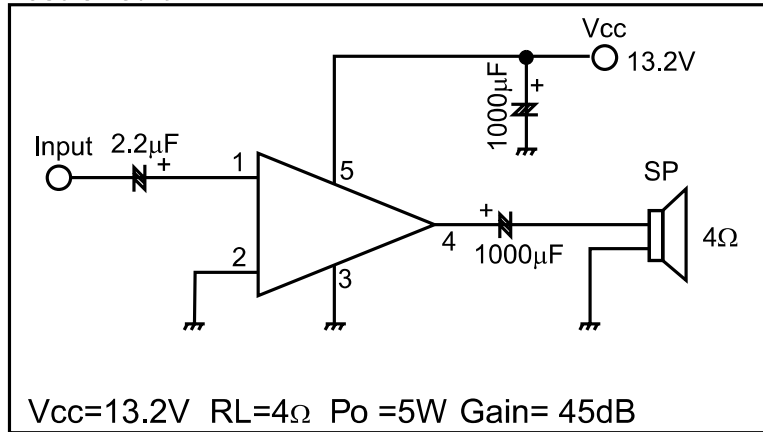


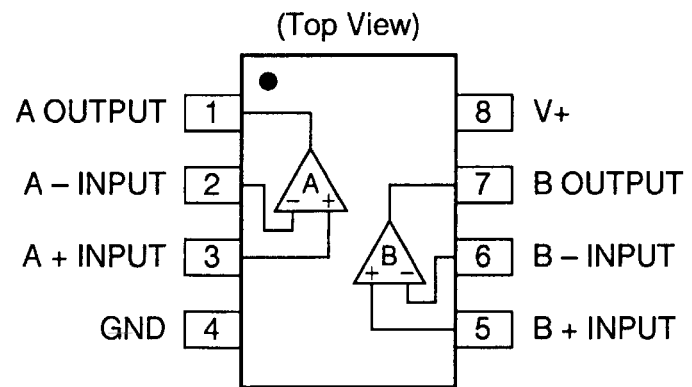
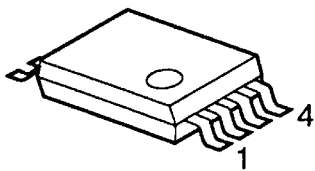
10) LA4425A (XA0410)

5W Audio Power Amplifiers

Test Circuit



11) NJM2904V (XA0573)



12) NJM2902V-TE1 (XA0596)

Quad Single Supply Operational Amplifier

